

GE
Lumination

Tetra[®] Contour LS

LED Lighting System



imagination at work

Tetra® Contour LS

Lights up your borders. Lightens up your costs.

Attract more attention and enhance the appearance of your buildings with a bold and beautiful glow around the edges—Tetra Contour LS border tubing can give you this bright, colorful look without all the typical worries of using fragile neon glass. What's more, Tetra Contour LS, our linear series of LED border lighting, comes pre-assembled and features a plug-&-play design that saves on labor and installation costs. Together with big savings on maintenance and energy expenses, it will make your bottom line look great too.

Better in the long run

Look of neon with LED benefits

Tetra Contour LS provides the classic look of exposed neon. It offers a consistent light output and a wide 330 degree viewing angle. Tetra Contour LS comes in 8 foot (2.44m) lengths—perfect for long straight runs and border applications. Unlike neon, Tetra Contour LS comes packaged ready-to-install, is field cuttable and provides bright, uniform illumination—even on the coldest days.

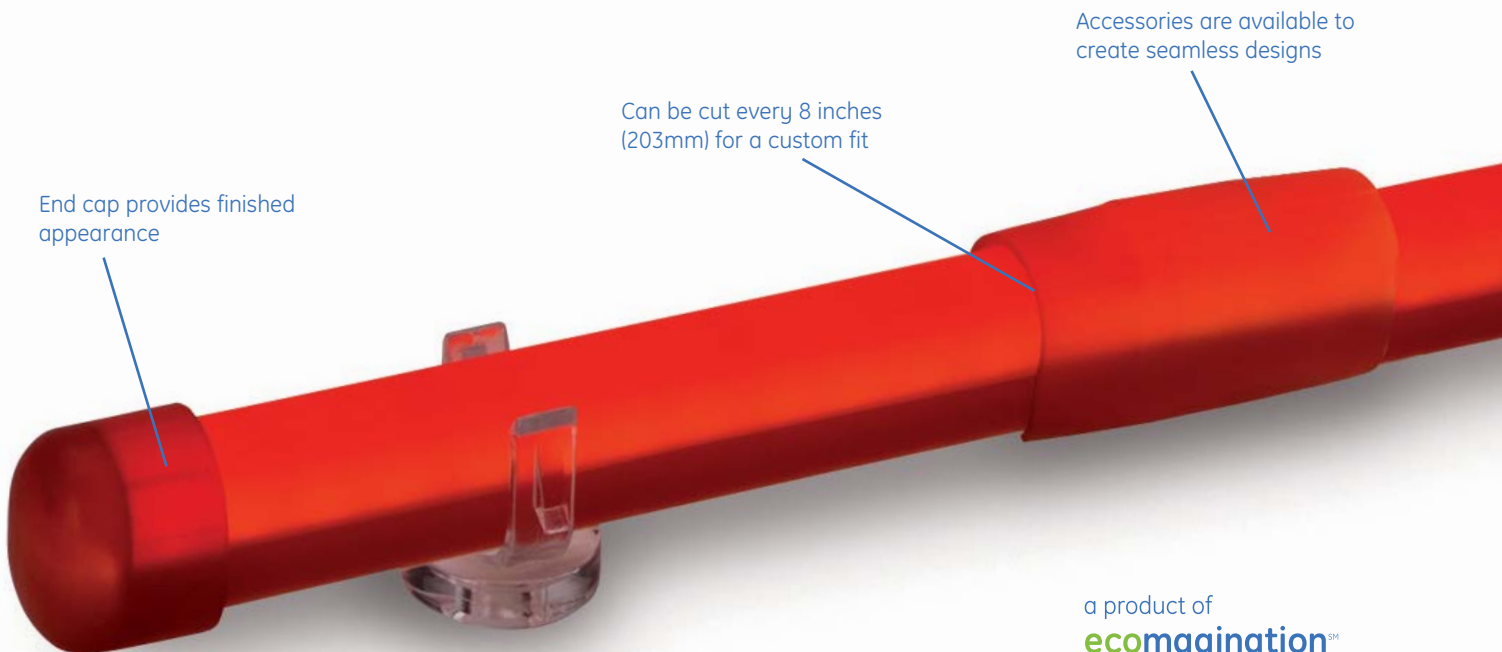
Saves on energy expenses

Tetra Contour LS is up to 40% more efficient than a typical neon system. Not only will you save on energy costs when it's operating, you may choose to keep it turned off during the daytime, since the colorful tubes provide a bright, attractive appearance even when not turned on.



More durable & robust

Designed and tested using GE Six Sigma quality standards, the Tetra Contour LS LED lighting system has a long rated life of 50,000 hours—that's more than five years of continuous 24/7 use. The impact resistant Tetra Contour LS helps eliminate excess shipping, installation and maintenance costs due to breakage. It withstands harsh weather conditions, vibration and stress. It is truly the intelligent choice professionals can rely on for border lighting applications.



End cap provides finished appearance

Can be cut every 8 inches (203mm) for a custom fit

Accessories are available to create seamless designs

a product of
ecomagination™

More Responsible and Reliable

Better for the environment

This environmentally responsible LED system complies with RoHS standards. Tetra Contour LS contains no lead, mercury or glass, so handling and disposal are less of a concern.

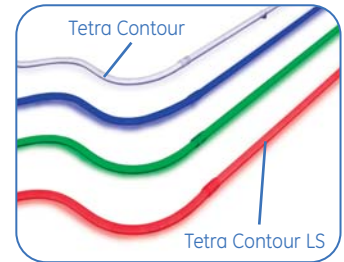
Reputation for reliability

The performance claims for Tetra Contour LS are based on stringent testing of the entire system, not solely on laboratory data from the LED supplier. This means exceptional quality you can count on. In fact, more than 80,000,000 Tetra LEDs are currently installed with a failure rate of less than 0.05 percent*, and Tetra Contour LS is backed by a limited warranty up to 5 years.

*Warranty return rate through December 2008

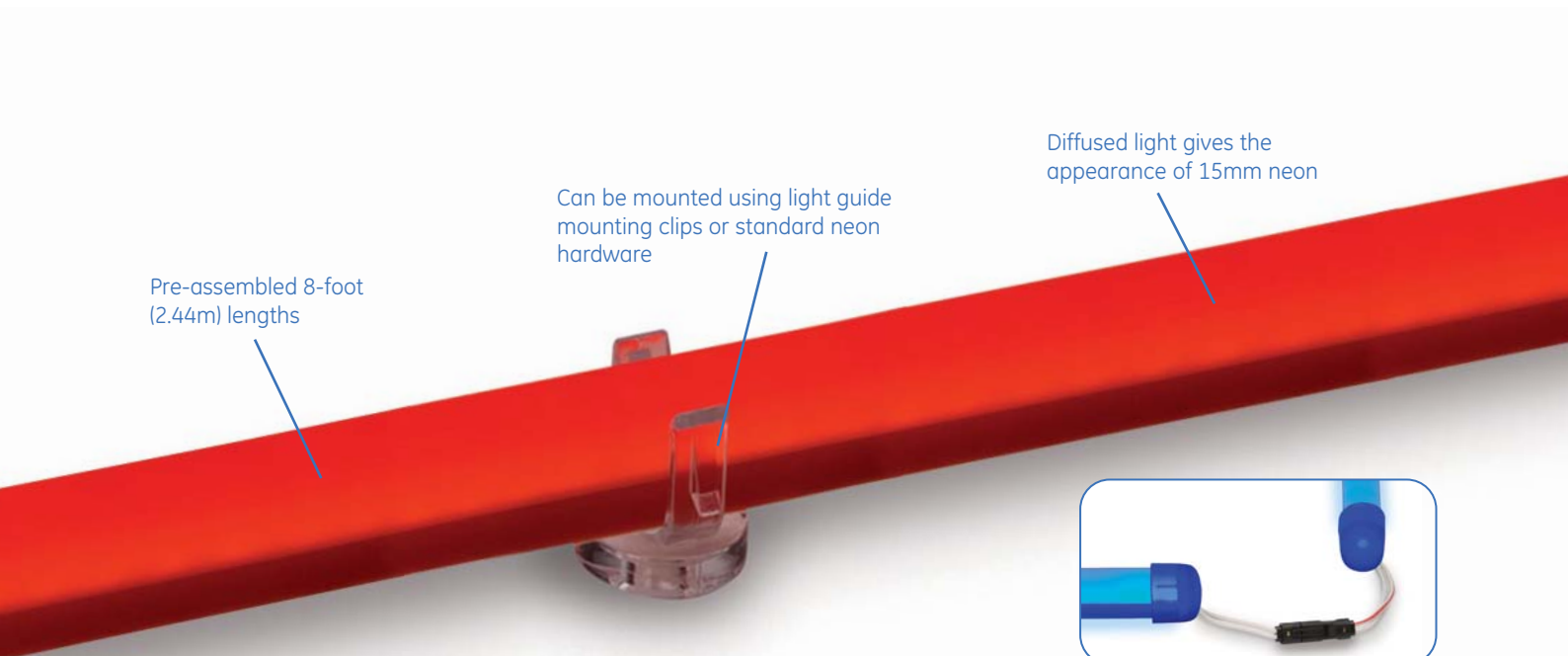
Flexible Solutions

While Tetra Contour LS is designed for straight runs and border tube applications, our original Tetra Contour can be used in applications that need custom shapes and bends.



Both products provide the classic appearance of neon and can work together to complement the unique design of your building.

Additional extension sections and accessory pieces are also available. Tetra Contour LS extensions come in 16 inch (406mm) lengths and feature a compact cutting resolution to aid in custom fitting. Accessories are available in straight connectors and a variety of 90 degree corners to create seamless designs. The entire family of Tetra Contour products are compatible to create border and accent lighting specific to your architectural designs.



Pre-assembled 8-foot (2.44m) lengths

Can be mounted using light guide mounting clips or standard neon hardware

Diffused light gives the appearance of 15mm neon

Quick assembly for installation cost savings

For each 8-foot (2.44m) length, simply screw in light guide mounting clips, clip Tetra Contour LS into place, use quick connectors to plug in next section, and you're done!



Installation is simplified with plug-&-play quick connectors



Accessory pieces are available to create a seamless appearance

Performance Data

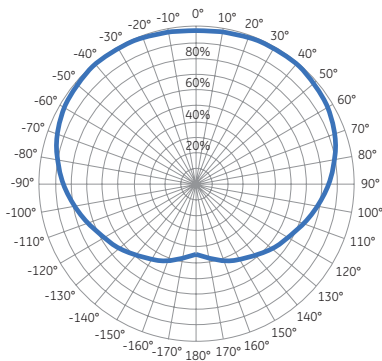
Color	SKU	LED Strip Wattage/ft (m)	System Wattage/ft (m)	Typical Lumens/ft (m)	LPW	Color Temperature/ Wavelength
Red	GERDXNLA2-RD	3.24 (10.63)	3.81 (12.50)	47 (154)	15	625 nm
Green	GEGLXNLA2-GL	2.88 (9.45)	3.39 (11.12)	55 (180)	19	532 nm
Blue	GEBLXNLA2-BL	2.88 (9.45)	3.39 (11.12)	19 (62)	7	467 nm
White	GEWHXNLA2-WH	2.88 (9.45)	3.39 (11.12)	74 (243)	26	6500K

Technical Specifications

Output Voltage	24 VDC
Dimensions	1 in. x 96 in. x 1.08 in. (25mm x 2438mm x 28mm)
Viewing Angle	330°
Cutting Resolution	8 in. (203mm)
Input Voltage	GEPS24-20: 90-264 VAC @ 50/60Hz GEPS24-80: 108-264 VAC @ 50/60Hz GEPS24-100U: 108-305 VAC @ 50/60Hz
Power Supply Loading (maximum)	GEPS24-20: 6 ft. (1.83m) GEPS24-80: 24 ft. (7.32m) GEPS24-100U: 30 ft. (9.14m)
Supply Wire Limits	Up to 30 ft. (9.14m) with 18 AWG (0.82mm ²) supply wire
Operating Temperature Range	-40°C to 55°C
Storage Temperature Range	-40°C to 75°C
Limited Warranty	Up to 5 years on LED strip, 5 years on power supply
System Certifications	LED strip: IP66; outdoor rated Power Supply: IP66; separate enclosure required, damp location rated



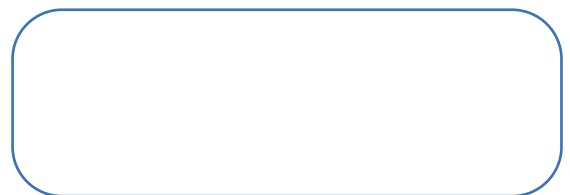
Light Output



Tetra Contour LS

For component guide, IES files, application information and additional product support, visit us at led.com

Compliments of:



6180 Halle Drive • Valley View, Ohio 44125-4635 • USA
 P: 216.606.6555 • F: 216.606.6599 • www.led.com • info@led.com

For customer service & technical support, contact:
1-888-MY-GE-LED (1.888.694.3533)

Lumination, LLC is a subsidiary of the General Electric Company. Tetra is a trademark of Lumination, LLC. The GE brand, logo, and ecomagination are trademarks of the General Electric Company. © 2008 Lumination, LLC. Information provided is subject to change without notice. All values are design or typical values when measured under laboratory conditions.