



Date: _____ Type: _____

Firm Name: _____

Project: _____

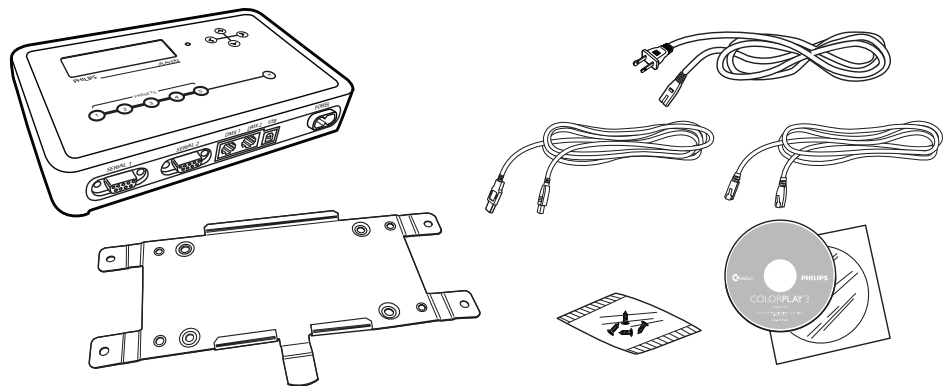
iPlayer 3

A compact DMX control solution with advanced light show authoring features

iPlayer® 3 controller is a compact yet powerful show storage and playback device capable of delivering light shows to installations with up to 340 unique light addresses. Packaged with ColorPlay® 3 light show authoring software, iPlayer 3 is designed to add new levels of sophistication and flexibility to your lighting installations while eliminating the need for expensive lighting boards and technical programming expertise.

- Easy to use — With factory preset shows, custom show-authoring capabilities, an intuitive LCD interface, removable SD card storage, and onboard light addressing features, iPlayer 3 enables you to spend more time on the creative aspects of lighting design and less time on setup.
- Packaged with ColorPlay 3 light show authoring software — ColorPlay 3 gives you the flexibility to create and manage light shows using fully customizable effects, multi-track editing, timeline layering, and transition styles.
- Designed for use with the optional Controller Keypad — Controller Keypad is a wall-mounted user interface providing instant pushbutton playback of up to eight light shows.
- Supports the optional AuxBox expansion device — AuxBox automatically triggers up to eight iPlayer 3 light shows using any remote triggering device with a dry-contact closure. Via the AuxBox, you can trigger light shows by motion sensors, 3rd party control or sensor systems, and more.
- Control two DMX universes — iPlayer 3 has two DMX output ports, each controlling a DMX512 universe of 170 unique light addresses.
- Automate show playback — Set alarms to automatically trigger show playback based on a specific date, day of the week, weekdays, weekends, or an astronomical event, such as sunrise or sunset.

For detailed product information, please refer to the iPlayer 3 Product Guide at: www.colorkinetics.com/ls/controllers/iplayer3/

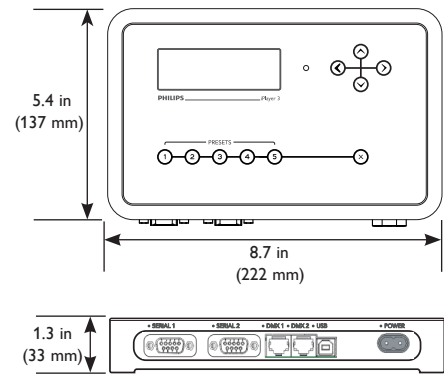


PHILIPS

Specifications

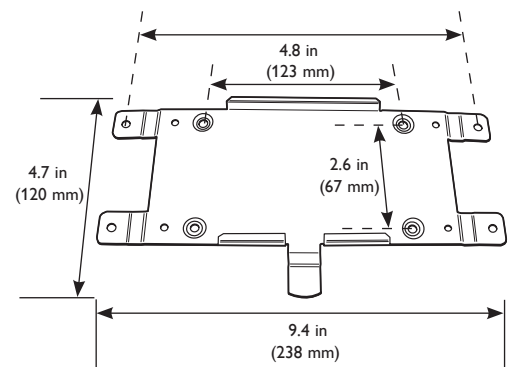
Due to continuous improvements and innovations, specifications may change without notice

Item	Specification	Details
Electrical	Input Voltage	100 – 240 VAC, 50 – 60 Hz, 5 W
Control	Computer Interface	USB 2.0
	External / Auxiliary Interface	Two DMX512 RJ45 ports Two RS-232 9-pin serial ports
	Data Storage	Removable Secure Digital Card drive (256 MB Card included.)
Physical	Dimensions (Width x Depth x Height)	8.2 x 5.4 x 1.3 in (209 x 137 x 33 mm)
	Weight	1.2 lb (0.54 kg)
	Housing	Polycarbonate
	Operating Temperature	14° – 104° F (-10° – 40° C)
	Humidity	0 – 95%, non-condensing
Certification and Safety	Certification	UL / cUL, FCC Class B, CE
	Environment	Dry Location, IP20



Software Requirements

System Requirements	Specification	PC	Mac
OS		Windows® 2000 / XP / Vista	Mac OS 10.4 or greater
Hardware	CD Drive	CD-ROM or DVD drive	CD-ROM or DVD drive
	Memory	512 MB RAM	512 MB RAM
	Disk space	60 MB free disk space	60 MB free disk space

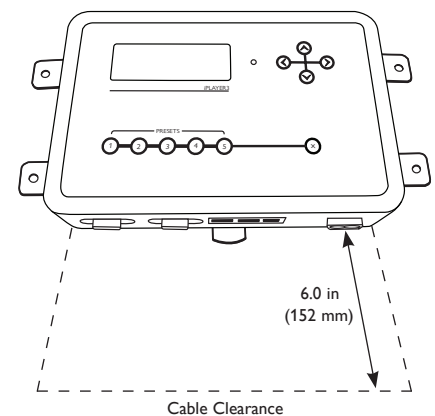


iPlayer 3 and Accessories

Item	Type	Item Number	Philips 12NC
iPlayer 3	North America Power Cord	103-000019-00	910403327101
iPlayer 3	Europe Power Cord	103-000019-01	910503700392
Controller Keypad	DB-9 Serial	103-000020-00	910503700223
AuxBox	DB-9 Serial	103-000021-00	910503700224

Use Item Number when ordering in North America.

For detailed product information, please refer to the iPlayer 3 Product Guide at: www.colorkinetics.com/ls/controllers/iplayer3/



Philips Solid-State Lighting Solutions, Inc.
3 Burlington Woods Drive
Burlington, Massachusetts 01803 USA
Tel 888.Full.RGB
Tel 617.423.9999
Fax 617.423.9998
www.colorkinetics.com

Copyright © 2008 Philips Solid-State Lighting Solutions, Inc. All rights reserved. Chromacore, Chromasic, CK, the CK logo, Color Kinetics, the Color Kinetics logo, ColorBlast, ColorBlaze, ColorBurst, ColorGraze, ColorPlay, ColorReach, DIMand, EssentialWhite, eV, iColor, iColor Cove, IntelliWhite, iW, iPlayer, Light Without Limits, Optibin, and Powercore are either registered trademarks or trademarks of Philips Solid-State Lighting Solutions, Inc. in the United States and/or other countries. All other brand or product names are trademarks or registered trademarks of their respective owners. Due to continuous improvements and innovations, specifications may change without notice.

Pomona College Photography: © fotoworks, Benny Chan

DAS-000020-01 R00 10-08